

**MF**  
✓

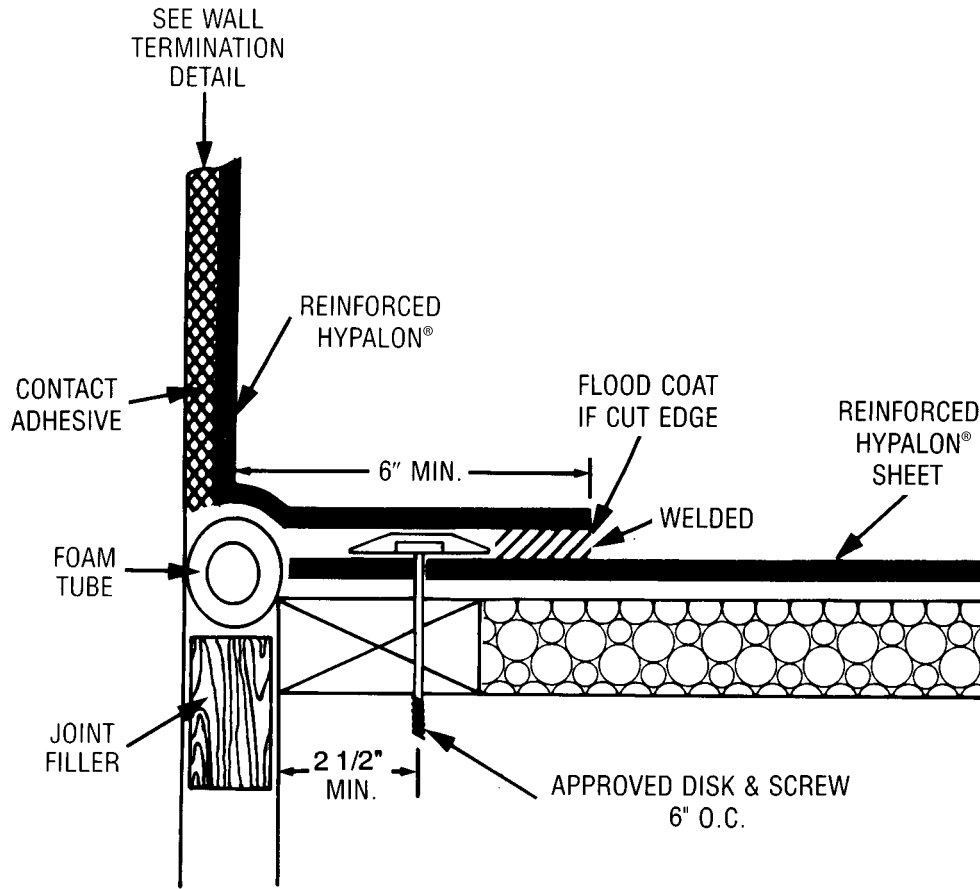
MECHANICALLY  
FASTENED

**FA**  
✓

FULLY ADHERED

**VQ**  
✓

VAC-Q-ROOF



**WALL EXPANSION JOINT**  
Roof Deck Details

**BurkeIndustries**

2250 SOUTH TENTH STREET  
SAN JOSE, CA 95112  
800-669-7010 • 408-297-3500

DRAWN

SR/BR

DATE

1998

REV.

K-98