

MF
✓

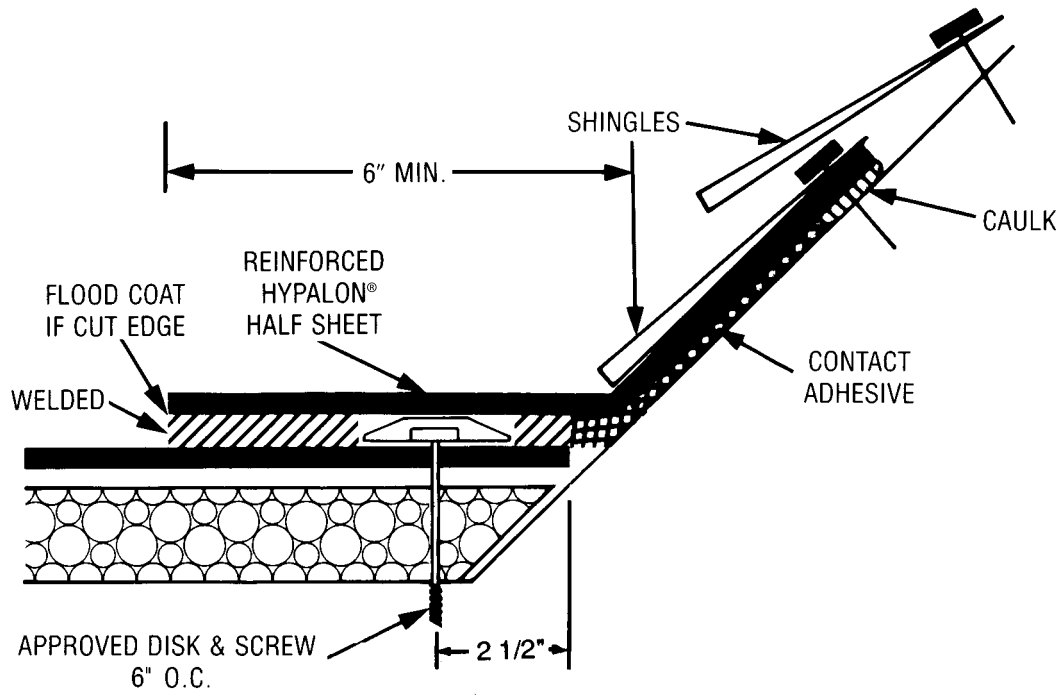
MECHANICALLY
FASTENED

FA
✓

FULLY ADHERED

VQ
✓

VAC-Q-ROOF



**TRANSITION FROM
SHINGLE ROOF**

Roof Deck Details

BurkeIndustries

2250 SOUTH TENTH STREET
SAN JOSE, CA 95112
800-669-7010 • 408-297-3500

DRAWN

SR/BR

DATE

1998

REV.

I-98